

# LINE TRACER – Universal wire and cable locator

## KE2093



Transmitter T10K

Receiver R10K

### Purposely designed to be used on:

- electrical installations
- various cable networks
- pipe installations
- telecommunications
- easy usage in various situations

### Applications

- Tracing cables in walls, ceilings, floor band ground
- Tracing live or coltage free cables
- Locating cable interruptions and short-circuits within cables
- Locating fuses and assignment to circuits
- Determining an individual wire in a bundle of whires
- Tracing pipe installations and other conductive loops

### Key features

- Detection depths up to 2 m can be achieved
- Works with both energized and non-energized systems
- The highly sensitive reciever R10K detects the injected signal around the measured line or object
- Three levels of sensitivity adjustment: low, middle and high. Each level can additionally be adjusted precisely.
- Dual bar-graph and buzzer indicator offers easy indication in dark or noisy environments.

### Tracing buried cables inside the ground



### Tracing hidden paths



With various arrangements a detection depth between 40 and up to 200 cm can be reached on energized lines, a detection depth up to 40 cm can be reached on non-energized lines.

Depending on the cable depth, a detection accuracy up to 1 cm can be achieved. Two probes (standard, selective) can be chosen.

### Determining individual wires in a telecommunication environment





This locating method requires the use of a test tip which is part of a standard set. The high accuracy of the method allows for pinpoint determination of a traced conductor.

### Determining individual wires and fuses in a switch box



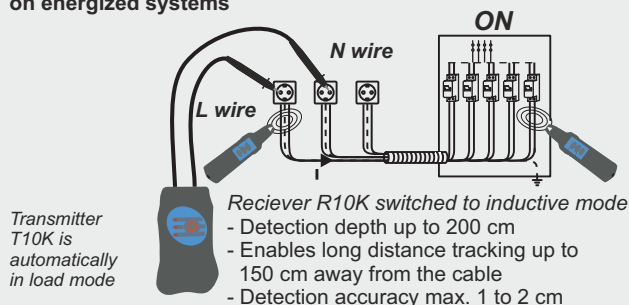
This tracing method uses A1074 current clamps. The high accuracy of this method allows for pinpoint determination of a wire or fuse without removal of the plastic cover of the switch box.



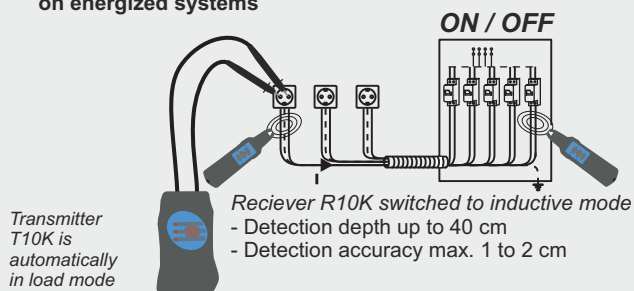
	Transmitter T10K	Receiver R10K
 		
<b>Batteries</b>	4 x AA size (1.5 V)	1 x PP3 size (9 V)
<b>Low battery indicator</b>	Yes	Yes
<b>Operating temperature</b>	0 – 40 °C	0 – 40 °C
<b>Storage temperature</b>	-30 – 60 °C	-30 – 60 °C
<b>Mass</b>	300 g	150 g
<b>Dimensions</b>	80 mm x 50 mm x 150 mm	45 mm x 45 mm x 210 mm
<b>Operating frequency / selectivity</b>	10.6 kHz modulated with 4 Hz	Input band-pass filter 10.6 kHz
<b>Indicators</b>	–	Acoustic: speaker (70 dB), visual: LED bargraph-style indicator
<b>Sensitivity</b>	–	3 levels, potentiometer for fine adjustment of signal gain

## TYPICAL CONNECTION SCHEMES

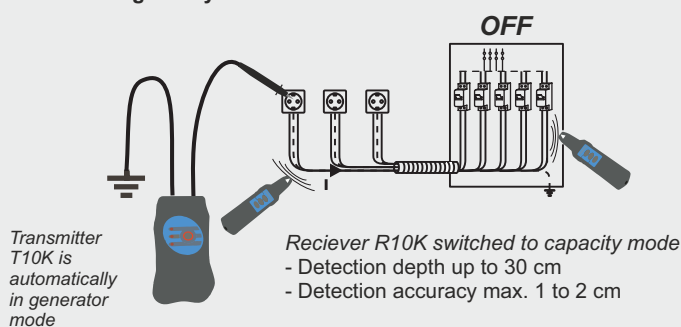
### Tracing cables in walls, ceilings, floor and ground on energized systems



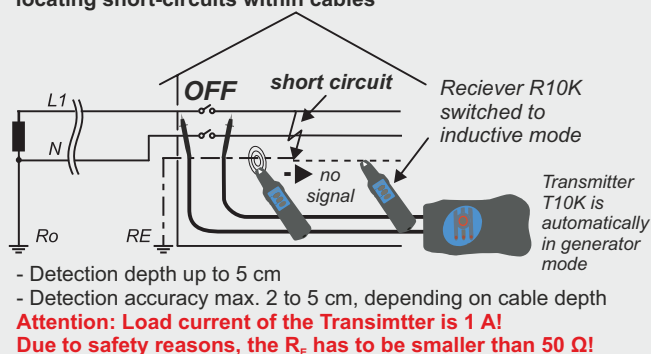
### Tracing cables in walls, ceilings, floor and ground on energized systems



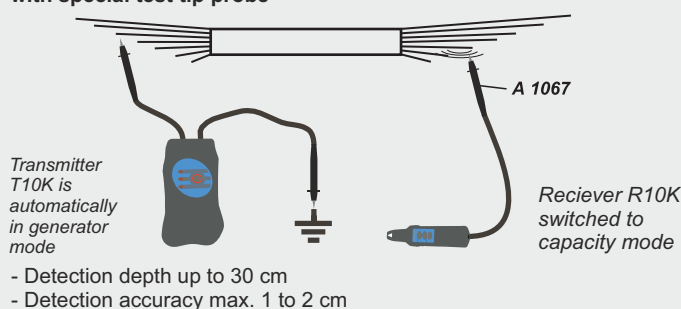
### Tracing cables in walls, ceilings, floor and ground on non-energized systems



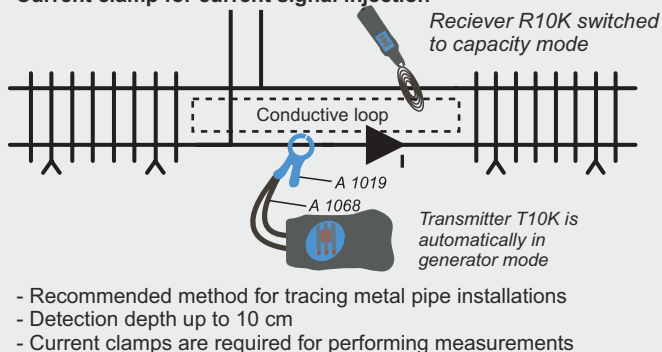
### locating short-circuits within cables



### Determining individual wires, fuses and connectors with special test tip probe



### Current clamp for current signal injection



Barcode	Description
0.49570	Standard set including transmitter T10K, receiver R10K, special selectice tip probe, 2x 1.5 m test lead for R10K, 1.5 m test lead for R10K with built-in resistor, 2x test tip (black), 2x alligator clip, small soft carrying bag, instruction manual, declaration of conformity, product verification data and declaration of warranty
A 1019	Current clamp 1000 A - 1A, d = 52 mm
A 1068	Connection cable for clamp
A 1074	Mini current clamp 200 A - 0.2 A, d = 15 mm

Ihr Händler / Your Dealer